

## Necessary Objects

Brave Matter's first accessories collection is characterized by brave silhouettes and evocative material finishes. Uniting ceramic with wood we create utilitarian objects that are equally resolute and ethereal, visceral and reflective.

Necessary Objects is a collection of utilitarian vessels inspired by the mechanisms of desire—motivated repetition; synaptic patterns reinforcing themselves over countless repeated occasions.



## Necessary Objects × Vessels

A selection of vessels appropriated from the N/O Service collection. Vessel O in the Vessel Series is a carafe in vase disguise, dressed in an array of prehistoric ceramic coatings. Plant-safe.

N/O Vessel glazes emphasize an interdependence between minerals in the clay and glaze—inducing a myriad of subtle, and at times, volatile expression of texture, color and depth.

Variation is expected.





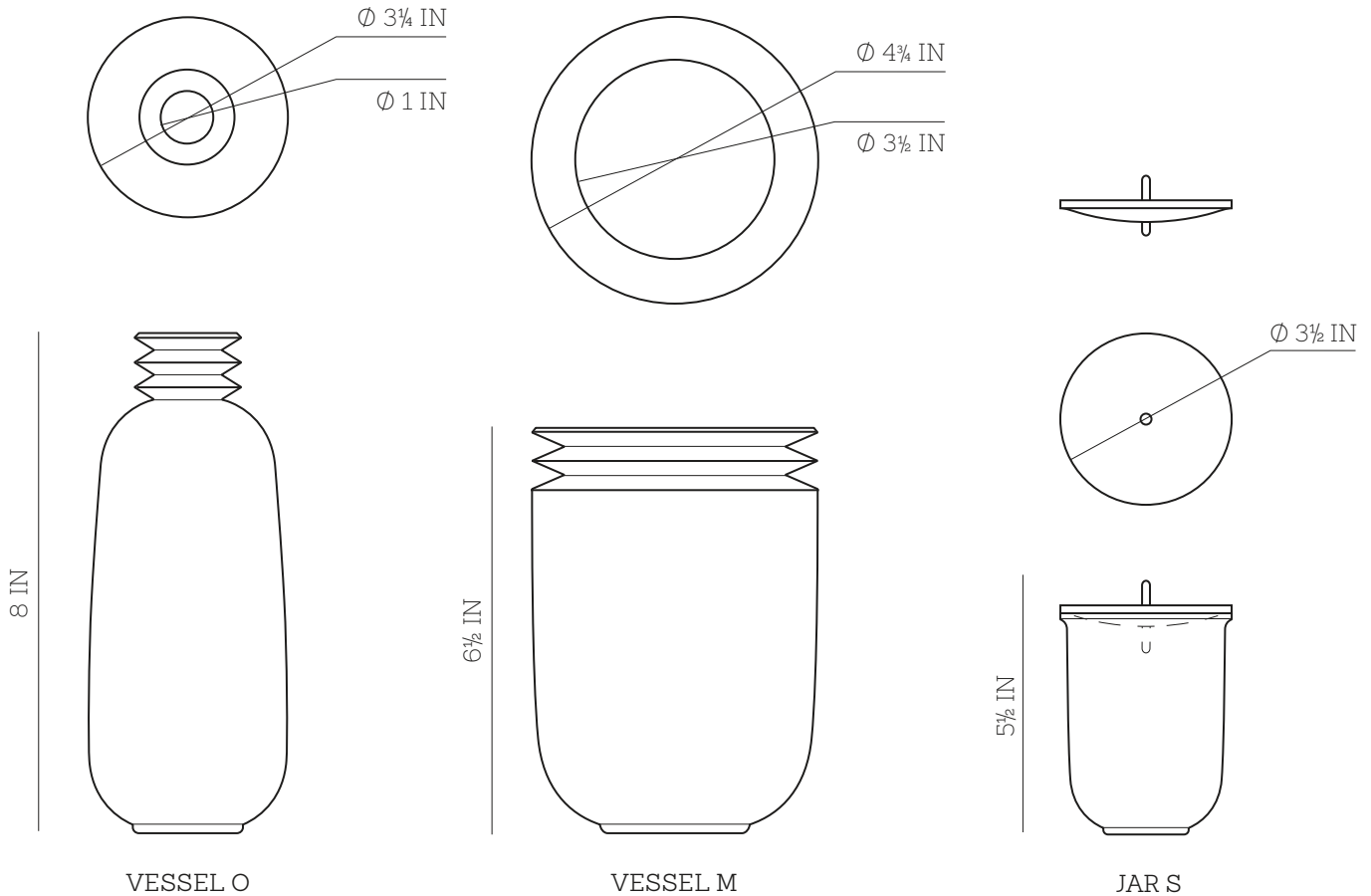
MICA ORE



MOSS PINK



STRATA



## N/O Vessels

SERIES

Necessary Objects

MATERIAL

slip cast ceramic,  
solid ash wood

COLOR & FINISH

3 glaze options  
charred solid ash wood

DIMENSION & VOLUME

vessel O  
Ø 3 1/4" × H 8" - 1" opening  
20 oz / 550 ml

vessel M  
Ø 4 3/4" × H 6 1/2" - 3 1/2" opening  
40 oz / 1200 ml

jar small  
Ø 3 1/2" × H 5 1/2"  
12 OZ / 350 ml

PRODUCTION

made-to-order

LEAD TIME

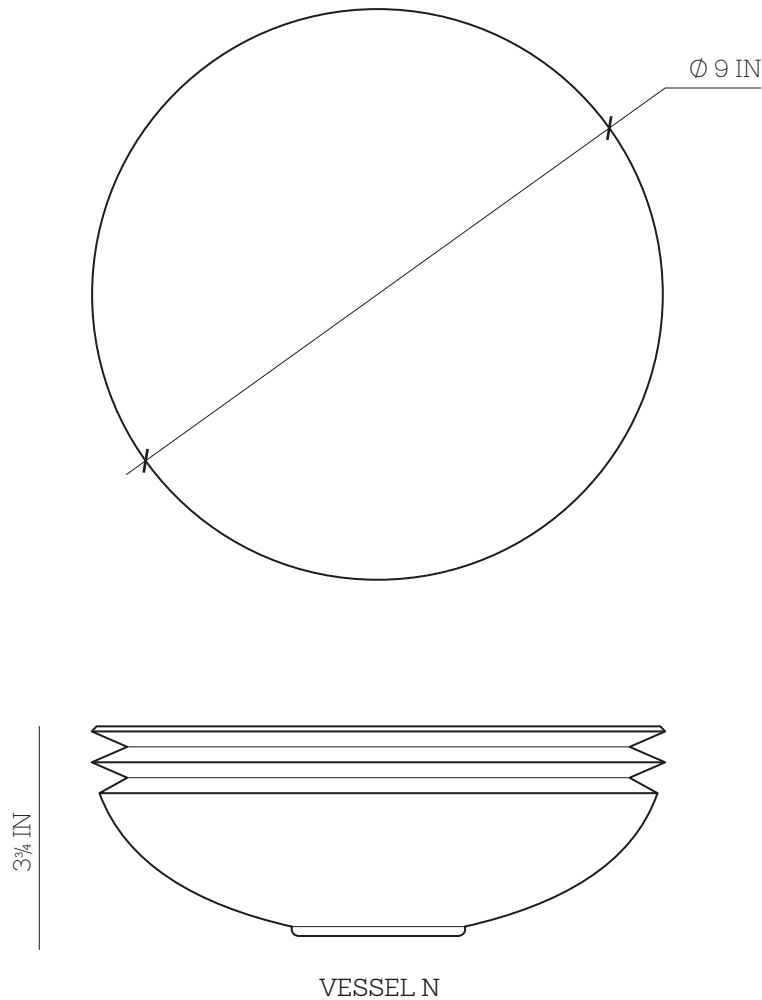
4-6 weeks

PRICE

upon request

INQUIRE

hello@brave-matter.com



## N/O Vessels

---

SERIES

Necessary Objects

MATERIAL

slip cast ceramic,  
solid ash wood

COLOR & FINISH

3 glaze options  
charred solid ash wood

DIMENSION & VOLUME

vessel N  
Ø 9" x H 3 3/4"  
48 oz / 1400 ml

PRODUCTION

made-to-order

LEAD TIME

4-6 weeks

PRICE

see current price list

INQUIRE

hello@brave-matter.com